

DETECTAMET

Technical Data Sheet

Document Reference	316
Date of Issue	12 th June 2023
Revision Number	002
Date of Last Revision	22 nd Sept 2025

316

Ring Binder Chrome Plated



Technical Data Sheet Applicable To:

316-P42-A30	Ring Binder Chrome Plated 2 Ring – 30mm (1.18") Internal Diameter
316-P42-A31	Ring Binder Chrome Plated 2 Ring – 43mm (1.69") Internal Diameter
316-P42-A32	Ring Binder Chrome Plated 3 Ring – 30mm (1.18") Internal Diameter
316-P42-A33	Ring Binder Chrome Plated 3 Ring – 43mm (1.69") Internal Diameter
316-P42-A34	Ring Binder Chrome Plated 4 Ring – 43mm (1.69") Internal Diameter

Industry Usage:

These chrome plated ring binders are used for holding documents/paper together with 2,3, or 4 rings. Please note that the ring diameter measurements listed are the internal dimensions.

Features and Benefits:

- Metal detectable & X-ray visible
- 2,3 or 4 rings
- Material: Chrome Plated

Material and Compliance information:

Ring binder dimensions:

2 Ring Binder – 130mm (5.11") length 2 Ring Binder – space between mountin holes – 126mm (4.96")

3 or 4 Ring binder – 290mm (11.41") length 3 or 4 ring binder – space between mounting holes – 286mm (11.25")

Ring binder spacing: 80mm (3.14")

Ring Dimensions:

2 ring small 30mm (1.18") internal diameter

2 ring large 43mm (1.69") internal diameter

3 ring small 30mm (1.18") internal diameter

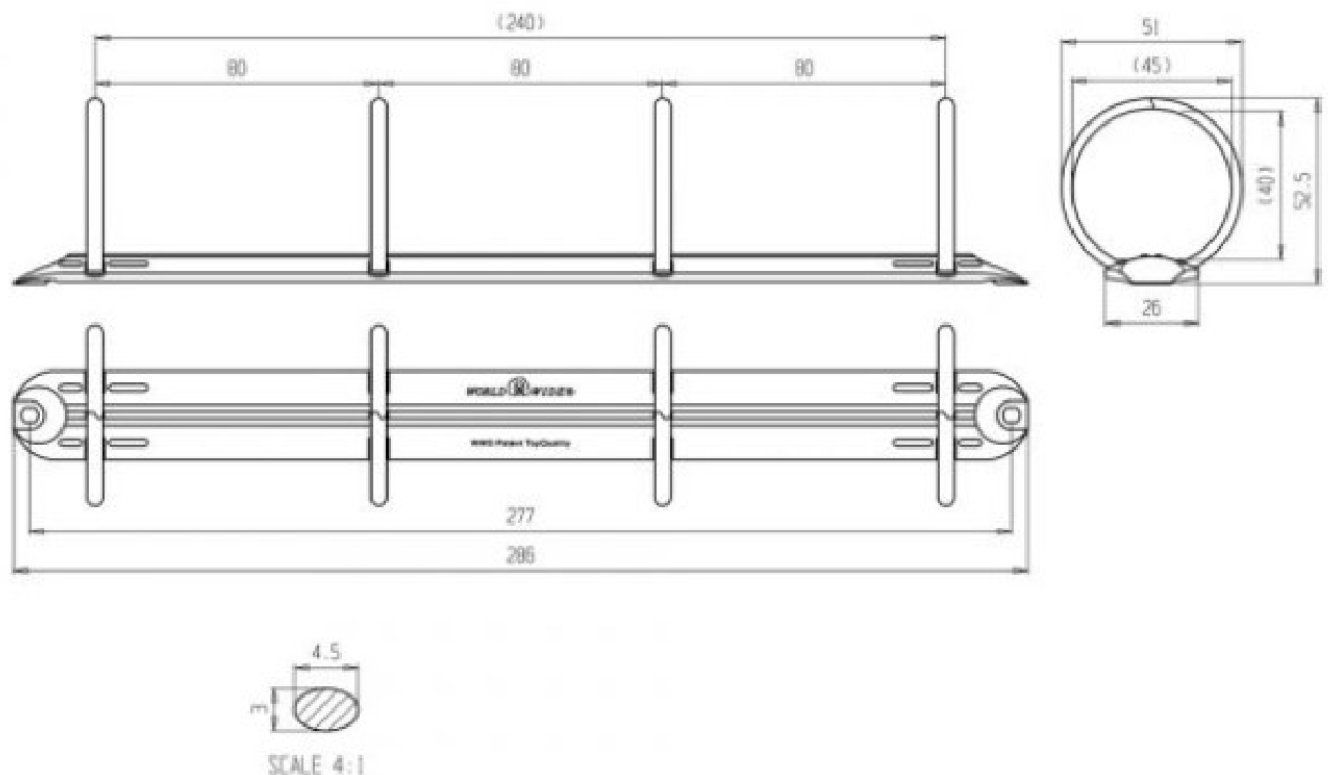
3 ring large 43mm (1.69") internal diameter

4 ring large 43mm (1.69") internal diameter

Warning: This product may contain nickel, a carcinogenic material

Conflict materials: There is no tantalum, tin, tungsten or gold in our ring mechanism series. These products contain no conflict materials or processing.

REACH Regulation EG Nr. 1907/2006: The products do not contain any materials/chemicals or these items in the quantity necessary to fall under the REACH or RoHS criteria.



No warranty is given or implied with respect to this information or patent infringement. Detectamet Ltd do not accept liability for loss or damage arising from the use of this information. Results are based on a test sample, our general experience and information from suppliers. Data and results may be confirmed by the buyer by testing for its intended conditions of use.

Safety You Detect

detectamet.global

